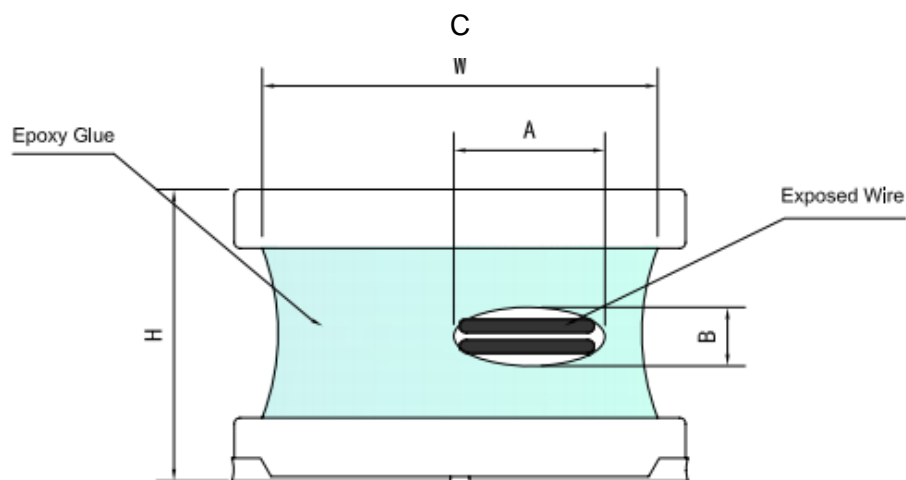


磁胶电感铜线暴露公差极限

Exposed Wire Tolerance Limit

1.The applicable products

This document is applicable to the products in which the windings shall be epoxy coated.



2. Exposed wire tolerance limit

- (1) $A > 1/2C \rightarrow \text{NG}$
- (2) For Dimension B
For the products, $H \leq 2.0\text{mm}$, B is no need to control
For the products, $H > 2.0\text{mm}$, $B > 1/2H \rightarrow \text{NG}$
- (3) The total exposed wire shall be below 1/2 of the epoxy coating area.
- (4) Inductance value shall be within the specification.
- (5) Especially for the product series 14F, **ONLY 2 items (3) and (4)** listed above are required to meet.