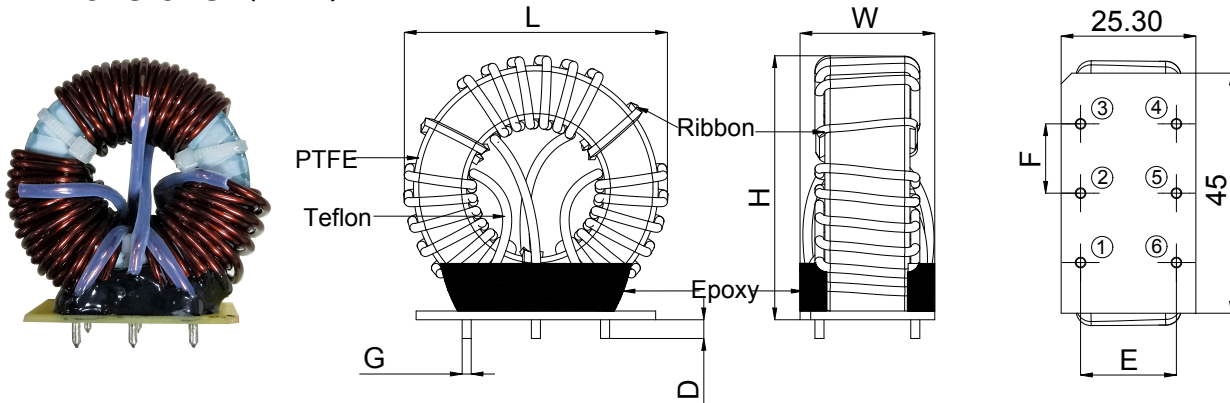


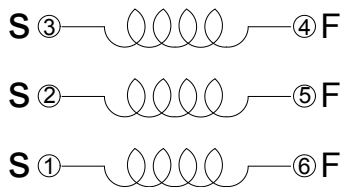
### 1. Dimensions (mm)



L	W	H	D	E	F	G
60 Max.	30.0 Max.	60 Max.	3.5±1.0	18±0.5	12±0.5	2.0 ref.

Dimensions do not include solder on the Pins

### 2. Schematics (Bottom View)



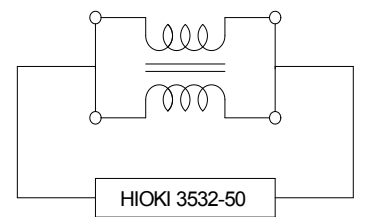
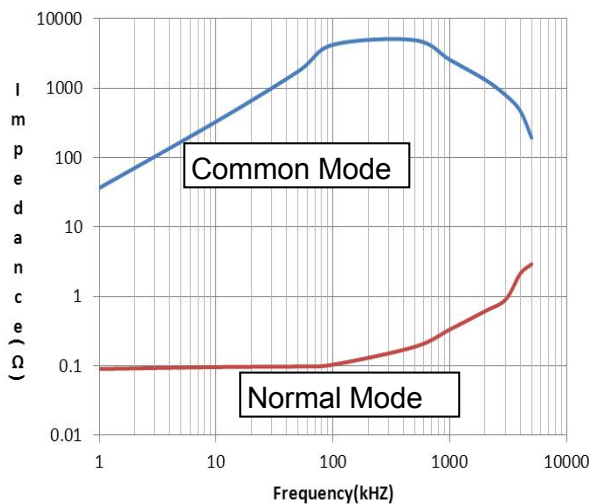
RoHS  
Compliant

### 3. Electrical Characteristics

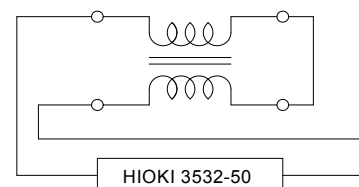
Part Number	Inductance ① (1-6), (2-5), (3-4) (mH)	DCR ② (1-6), (2-5), (3-4) (mΩ)	I rms ③ (A) typ.
TMTR503015G-TW19TS	6.0 typ.	7.0±30%	20

- ① Inductance tested at 1.0 kHz, 1.0 Vrms using HIOKI 3532-50 LCR meter or equivalent.
- ② DCR measured on a micro-ohmmeter.
- ③ I<sub>rms</sub>: The DC current at which Δt=40°C, measure pin1 to 4, short pin2,3 and pin5,6.

#### Impedance vs Frequency Curve



Common Mode



Normal Mode

All specifications are subject to change without notice.