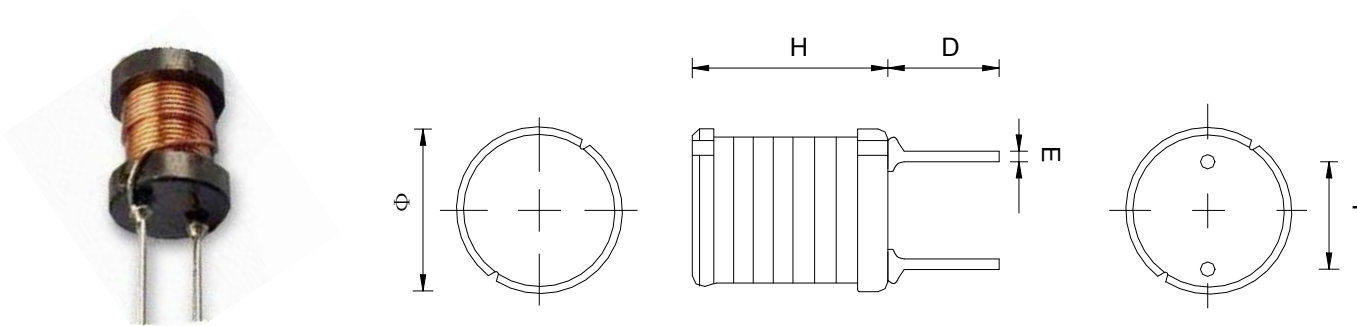


### 1. Dimensions

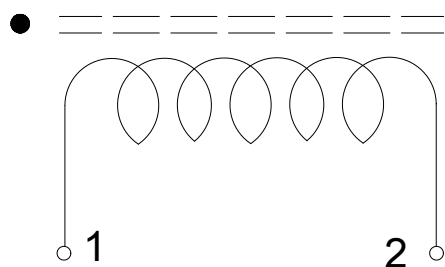


Dimensions do not include the solder on the terminal pins.

$\phi$	H	D	E	F
6.0 ± 0.3	8.0 ± 0.3	12 ± 2.0	0.6 ± 0.1	3.0 ± 0.2

Unit: mm

### 2. Schematics



RoHS  
Compliant

### 3. Electrical Characteristics/电气特性

Part Number	Inductance (μH) ①	Inductance tolerance	DCR max. (mΩ) ②	Isat max. (A) ③	Irms typ. (A) ④
TDR6080N-220KB01	22	±20%	130	1.7	1.55

- ① Inductance tested at 1kHz/0.3V, using an Agilent/HP 4192A or equivalent.
- ② DCR measured on a micro-ohmmeter.
- ③ Isat : The DC current at which the inductance decreases by 10% of it's initial value..
- ④ Irms: The DC current at which  $\Delta t=25^{\circ}\text{C}$  ( $T_a=20^{\circ}\text{C}$ )