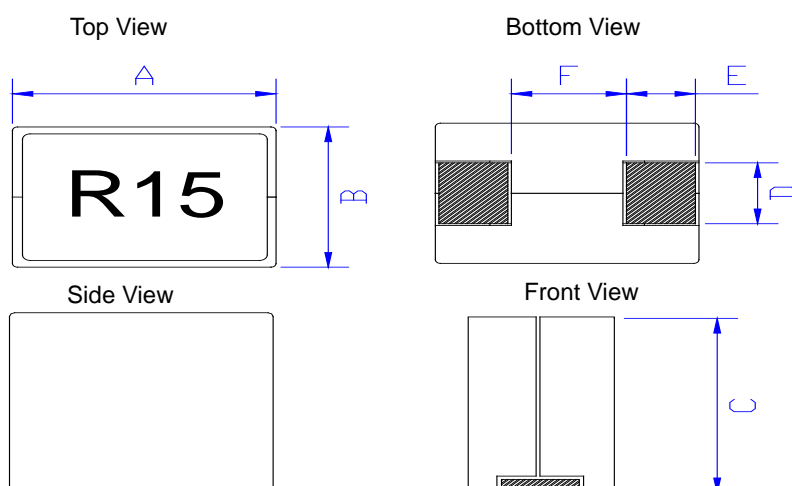


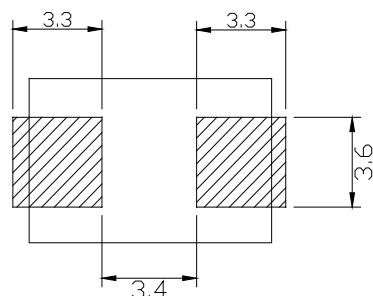
1. Dimensions



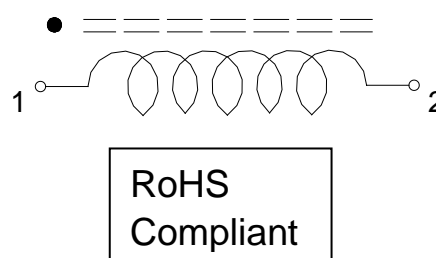
A	B	C	D	E	F
9.4±0.2	6.4±0.2	10.0 max	3.15±0.2	2.30±0.2	4.1 typ.

Unit: mm

2. Recommended Land Pattern



3. Schematics



4. Electrical Characteristics

Part Number	Stamp	Inductance ① (nH)	Inductance tolerance	DCR ② Max.(mΩ)	Isat ③ at 25°C(A)	Isat ④ at 100°C(A)	Irms ⑤ (A)
SHCW090610-R15KCS	R15	150	±10%	0.12	67	58	84

① Inductance tested at 100 kHz, 0.1 Vrms using an Agilent/HP 4192A or equivalent.

② DCR measured on a micro-ohmmeter.

③ Isat at 25°C: DC current at which the inductance decreases by 20% of it's initial value at 25°C.

④ Isat at 100°C: DC current at which the inductance decreases by 20% of it's initial value at 100°C.

⑤ Irms: The DC current at which Δt=40°C.(Ta=25°C)

Storage Temperature: -40°C~ +125°C

Operating Temperature: -40°C~ +125°C

Packaging Quantity: 500 pcs per Reel

All specifications are subject to change without notice.