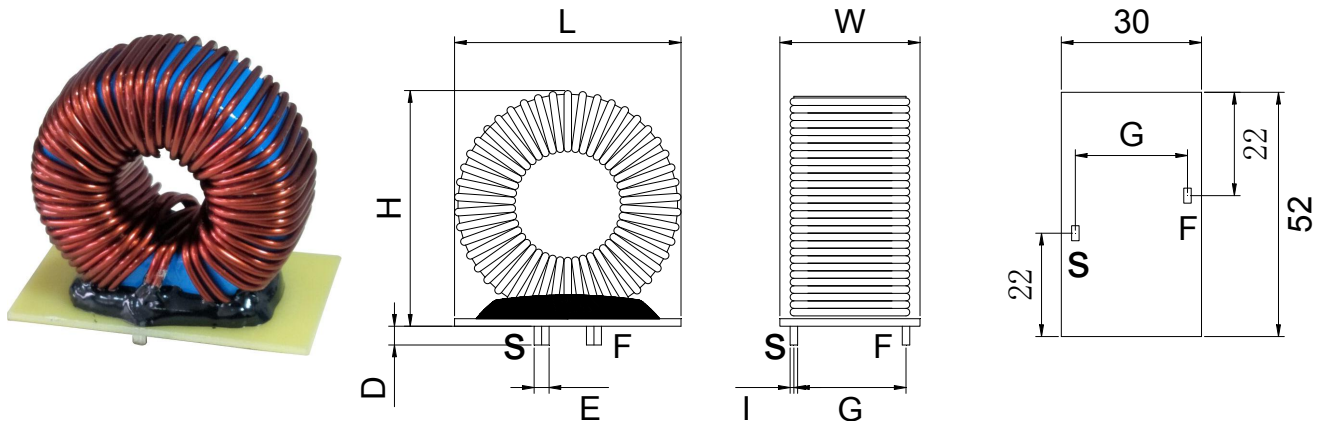


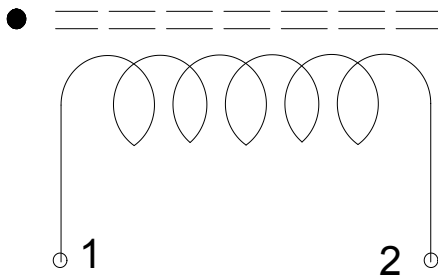
1. Dimensions (mm)



L	W	H	D	E	G	I
53.0max.	32.0 max.	55.0 max.	4.0±0.5	3.5 max.	24±0.5	1.9max.

Dimensions do not include solder on the pins.

2. Schematics



RoHS
Compliance

3. Electrical Characteristics/电气特性

Part Number	Inductance ① (μH)	DCR ② ($\text{m}\Omega$) max.	Isat③ (A) typ	I rms (A) typ.
NM462418L-131YB01	130±20%	10.0	21	20

① Inductance tested at 1.0 kHz, 0.3 Vrms using HIOKI 3532-50 LCR Meter or equivalent.

② DCR measured on a micro-ohmmeter.

③ Isat : The DC current at which the inductance decreases by 30% of it's initial value.

Irms: The DC current at which $\Delta t=40^\circ\text{C}$.