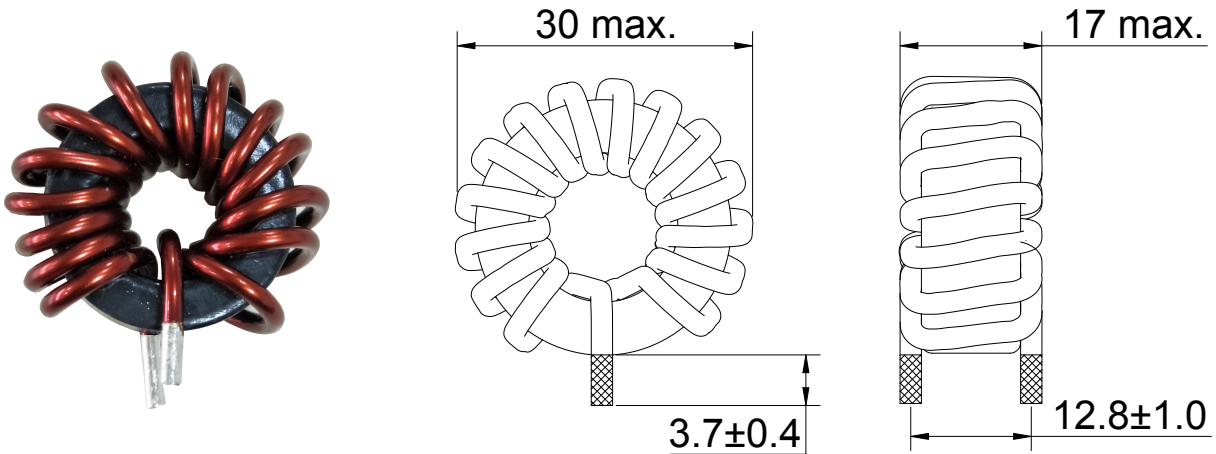
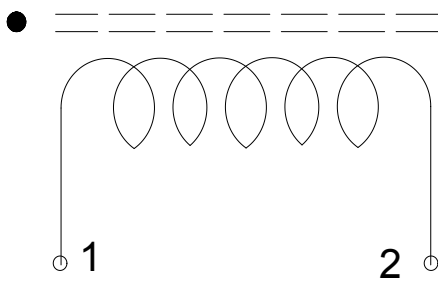


### 1. Dimensions (mm)



Dimensions do not include solder on the pins.

### 2. Schematics



RoHS  
Compliant

### 3. Electrical Characteristics/电气特性

Part Number	Inductance ① ( $\mu\text{H}$ )	DCR ② ( $\text{m}\Omega$ ) max.	I <sub>rms</sub> ③ (A) max.	Rate Voltage typ.
NM241409L-250K01	25±10%	7.0	25	DC 55V

① Inductance tested at 1.0 kHz, 0.3 V<sub>rms</sub> using HIOKI 3532-50 LCR Meter or equivalent.

② DCR measured on a micro-ohmmeter.

③ I<sub>rms</sub>: The DC current at which  $\Delta t=40^\circ\text{C}$ .