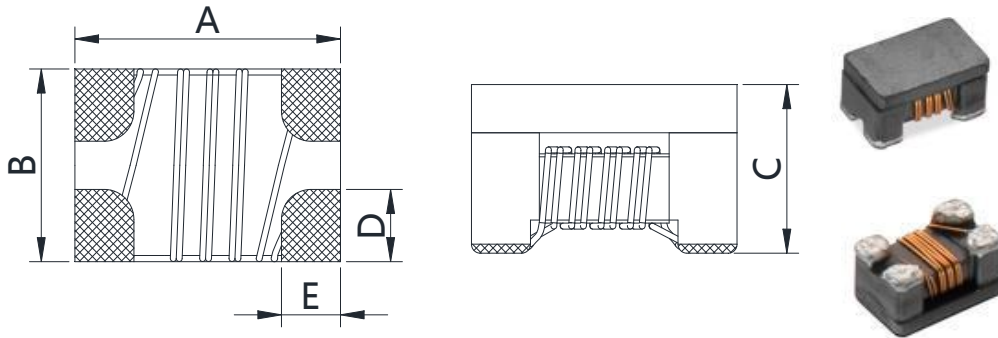


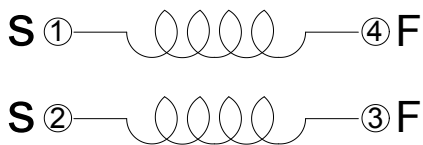
1. Dimensions (mm)



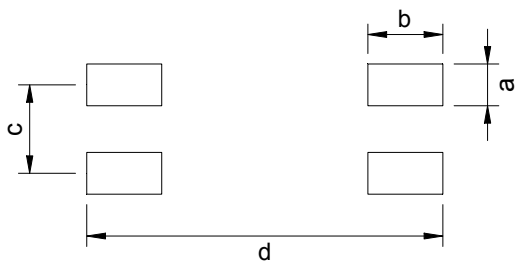
A	B	C	D	E
3.2±0.2	2.5±0.2	2.2±0.2	0.9 typ.	0.8 typ.

Dimensions do not include solder on the Pins

2. Schematics (Bottom View)



3. Recommended Land Pattern



Symbol	Dimensions(mm)
a	1.45
b	1.40
c	2.05
d	4.40

RoHS
 Compliant

4. Electrical Characteristics

Part Number	Impedance ① Ω at 100MHz	DCR ② (mΩ) max	Insulation Resistance (MΩ) Min	Rated Voltage-V max.	Rated ③ Current -mA
CMDI3225S-900T01	90±25%	100	10	50	1000
CMDI3225S-900T02	90±25%	60	10	50	3000
CMDI3225S-201T02	200±25%	80	10	50	2000
CMDI3225S-501T02	500±25%	80	10	50	2000
CMDI3225S-601T01	600±25%	200	10	50	1000
CMDI3225S-102T01	1000±25%	300	10	50	400
CMDI3225S-102T02	1000±25%	100	10	50	1500

- ① Inductance measured on a 4991A Keysight Technologies or equivalent.
- ② DCR measured on a micro-ohmmeter (Single winding) .
- ③ Irms: The DC current at which $\Delta t=40^{\circ}\text{C}$,measure pin1 to 2,short pin3,4 (at 25°C).

5.Packaging

Packaging Quantity: 2000 pcs per Reel