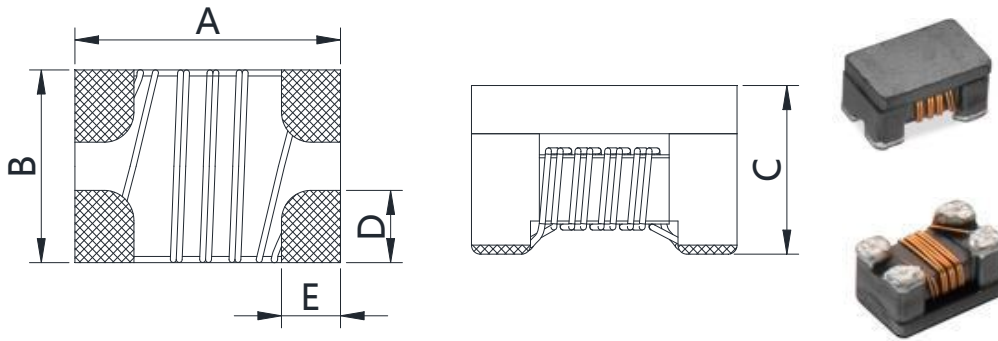


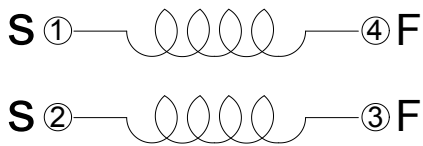
1. Dimensions (mm)



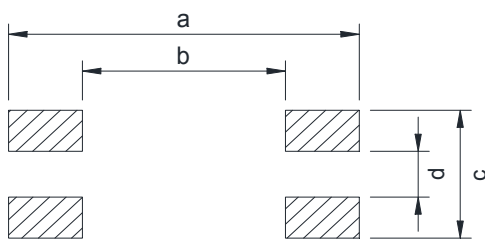
A	B	C	D	E
2.0±0.2	1.2±0.2	1.2±0.2	0.5 typ.	0.5 typ.

Dimensions do not include solder on the Pins

2. Schematics (Bottom View)



3. Recommended Land Pattern



Symbol	Dimensions(mm)
a	2.6
b	0.8
c	1.3
d	0.4

RoHS
 Compliant

4. Electrical Characteristics

Part Number	Impedance ① Ω at 100MHz	DCR ② (mΩ) max	Insulation Resistance (MΩ) Min	Rated Voltage-V max.	Rated ③ Current -mA
CMDI2012S-670T01	67±25%	250	10	50	400
CMDI2012S-700T01	70±25%	300	10	50	400
CMDI2012S-750T01	75±25%	300	10	50	400
CMDI2012S-900T01	90±25%	350	10	50	370
CMDI2012S-121T01	120±25%	300	10	50	370
CMDI2012S-161T01	160±25%	350	10	50	350
CMDI2012S-181T01	180±25%	350	10	50	330
CMDI2012S-201T01	200±25%	400	10	50	300
CMDI2012S-261T01	260±25%	400	10	50	300
CMDI2012S-301T01	300±25%	420	10	50	290
CMDI2012S-361T01	360±25%	450	10	50	280
CMDI2012S-37T01	370±25%	450	10	50	280
CMDI2012S-451T01	450±25%	500	10	50	250
CMDI2012S-601T01	600±25%	600	10	50	220
CMDI2012S-901T01	900±25%	900	10	50	150

① Inductance measured on a 4991A Keysight Technologies or equivalent.

② DCR measured on a micro-ohmmeter (Single winding) .

③ Irms: The DC current at which $\Delta t=40^{\circ}\text{C}$,measure pin1 to 2,short pin3,4 (at 25°C).

5.Packaging

Packaging Quantity: 3000 pcs per Reel